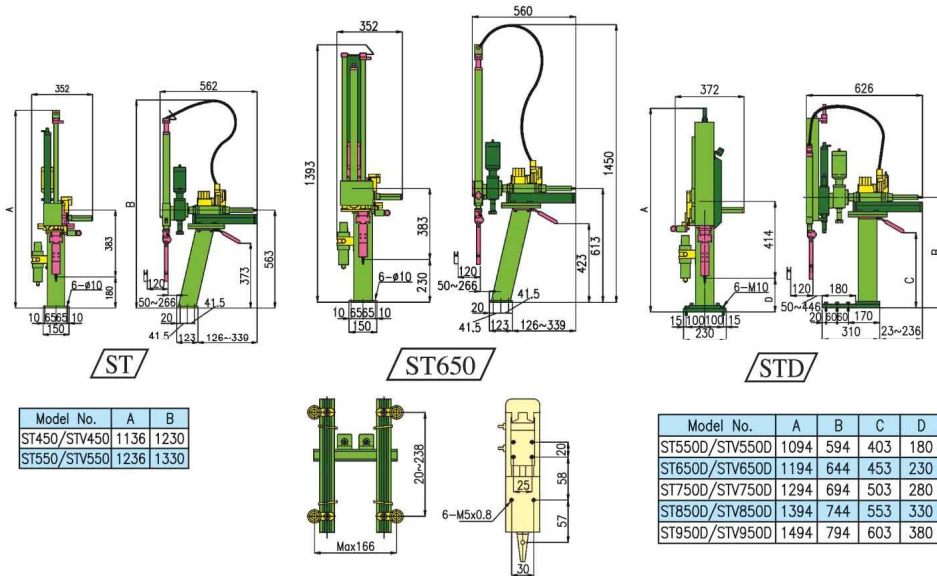


Mechanical Drawings



Technical Specifications

Model No.	Dry Cycle (Sec.)		L.M.M. Range (Tonne)	Vertical Stroke (mm)	Net Weight (Kgs)	Comp. Air Consumption (NL/Cycle)
	Take-out	Cycle				
ST450 Single-Stage	0.7	3.4	25~125	450	39	12
STV450 Single-Stage					40	17
ST550 Single-Stage	0.7	3.7	60~150	550	40	14
ST550D Telescopic	0.5	3.5			49	9.5
STV550 Single-Stage	0.7	3.7			41	19
STV550D Telescopic	0.5	3.5			51	14.5
ST650 Single-Stage	1.2	4.2	125~250	650	44	16.5
ST650D Telescopic	0.6	3.6			53	10.5
STV650 Single-Stage	1.2	4.2			45	21.5
STV650D Telescopic	0.6	3.6			54	15.5
ST750D Telescopic	0.8	3.8	200~350	750	55	11.5
STV750D Telescopic					56	16.5
ST850D Telescopic	1.0	4.0	300~450	850	57	12.5
STV850D Telescopic					58	17.5
ST950D Telescopic	1.2	4.2	400~700	950	59	13.5
STV950D Telescopic					60	18.5

Strip Stroke:120mm
Operation Voltage : Single Phase 220V 50/60 HZ 1A

MAX. Payload : 3 kg
Compressed Air : 4~6 kg/cm²



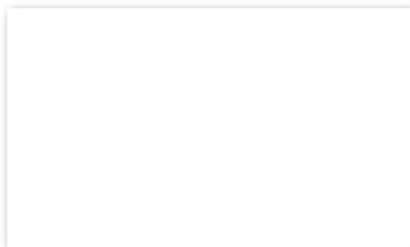
APEX ROBOT SYSTEMS, INC.

No. 5, 35th Rd., Taichung Industrial Park,
Taichung, Taiwan, R.O.C.

TEL:886-4-23594239 FAX:886-4-23597923

E-mail:sales@apexrobot.com

Web site:http://www.apexrobot.com



01.2007.2000

PHOTO : DESIGN BY SINCERE INC. TEL:886-4-262288



ST Series
Swing Arm Robots

ST Series Swing Arm Robots

*The simple way to improve quality,
increase productivity and lower your costs.*



Features

- 1 Wrist rotation mechanism is standard.
- 2 Modular constructed with rigid structure, virtually maintenance and trouble-free.

